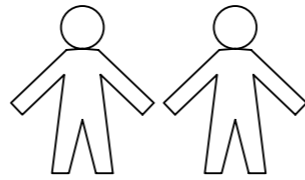
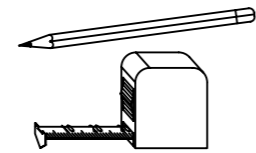
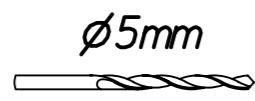
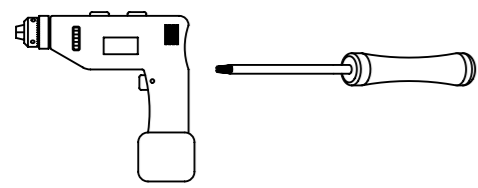


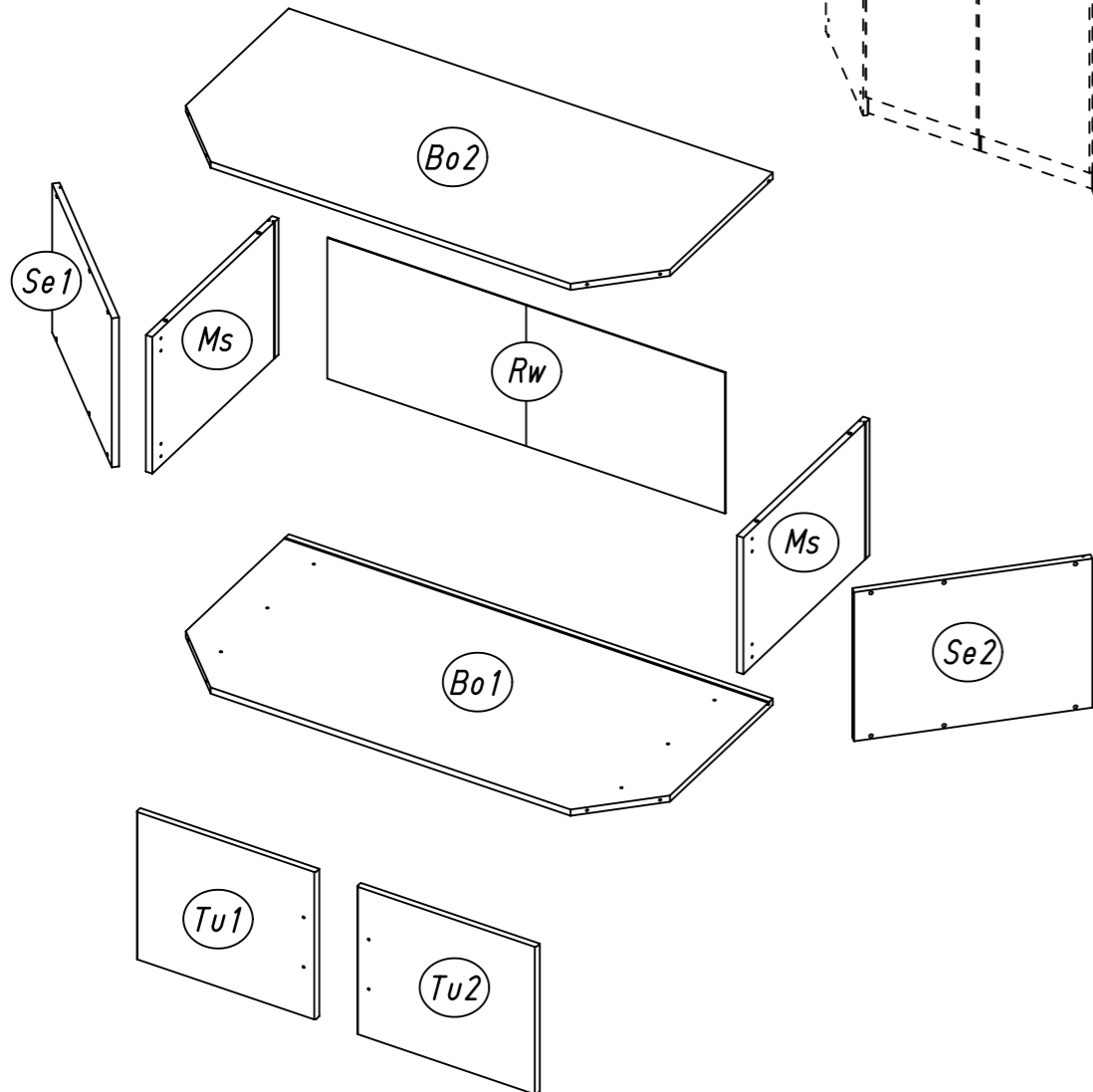
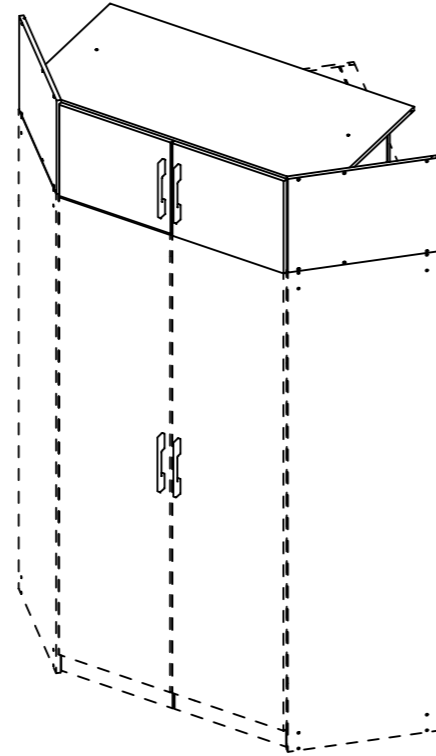
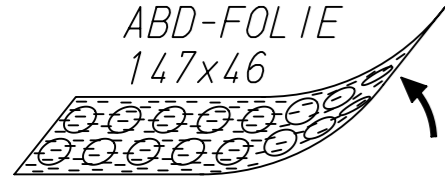
1.

M1638\_02

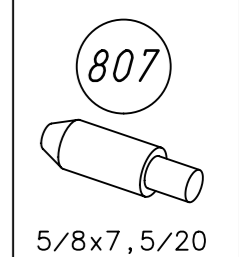
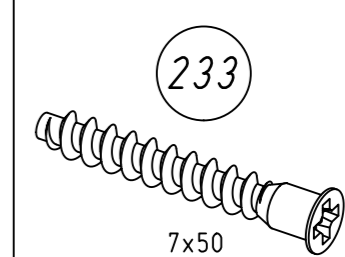
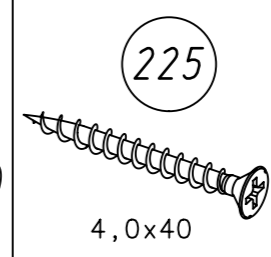
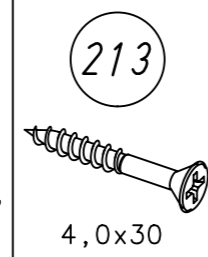
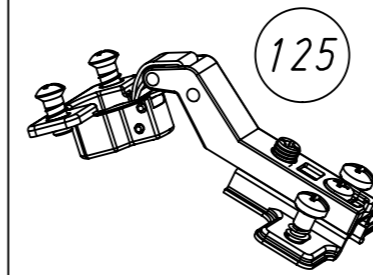
rauch



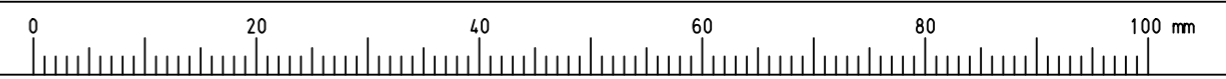
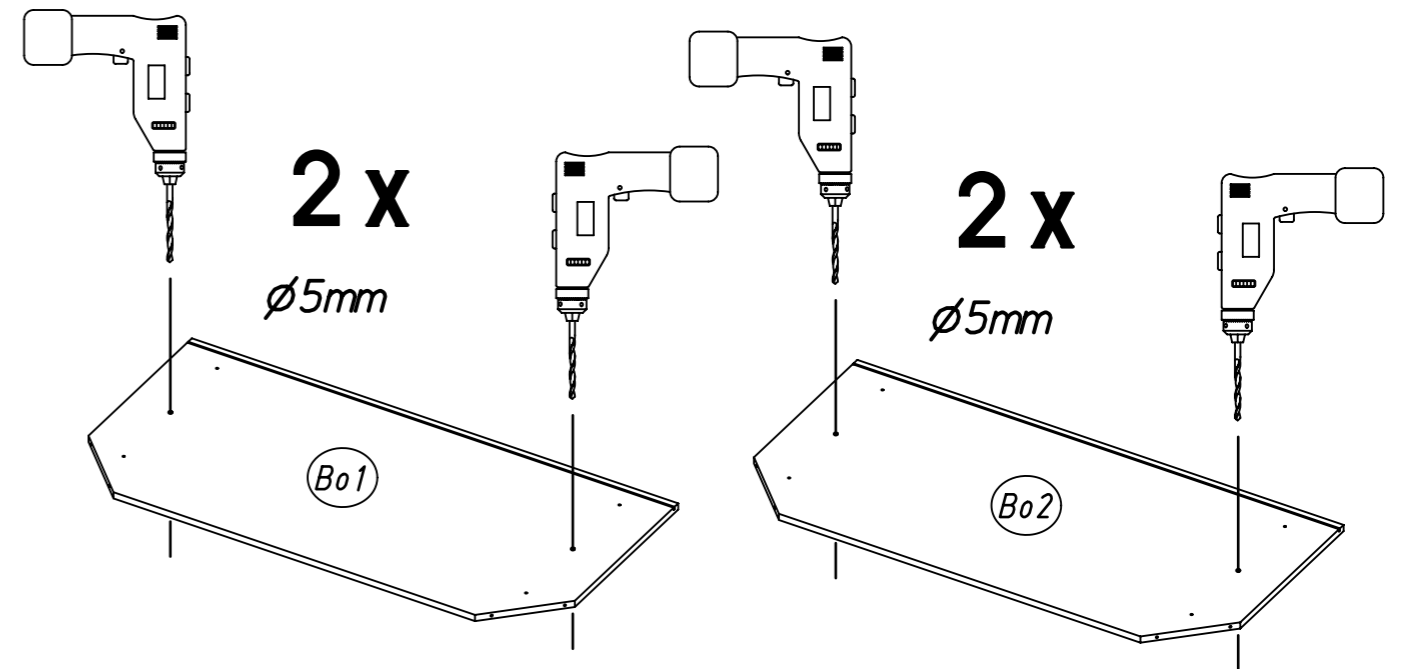
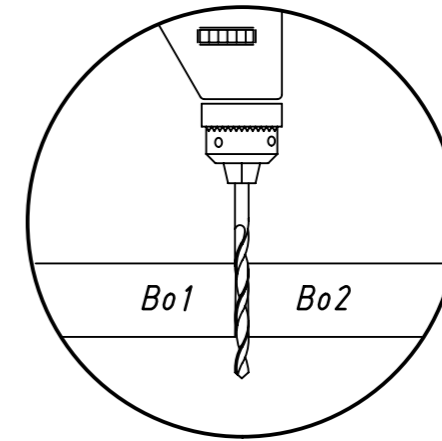
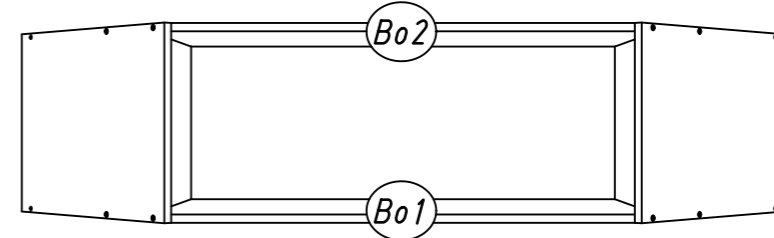
ABD-FOLIE  
147x46



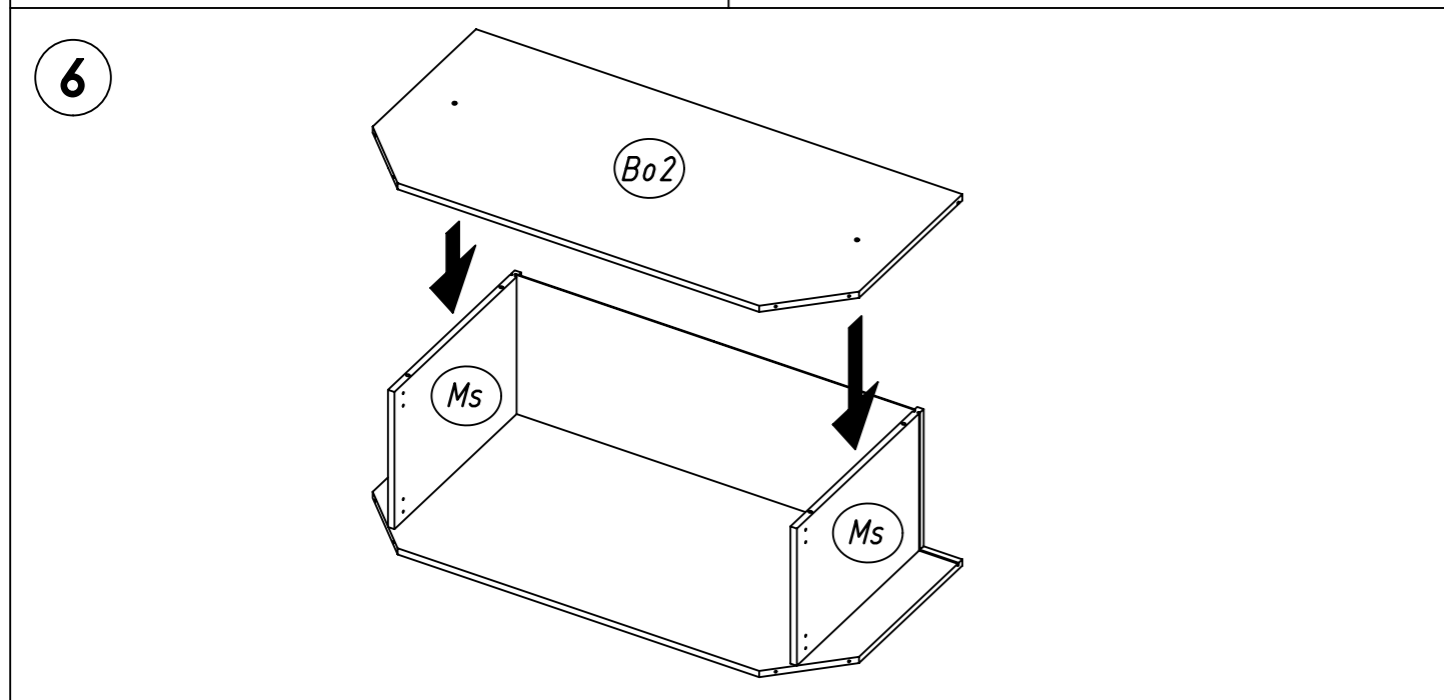
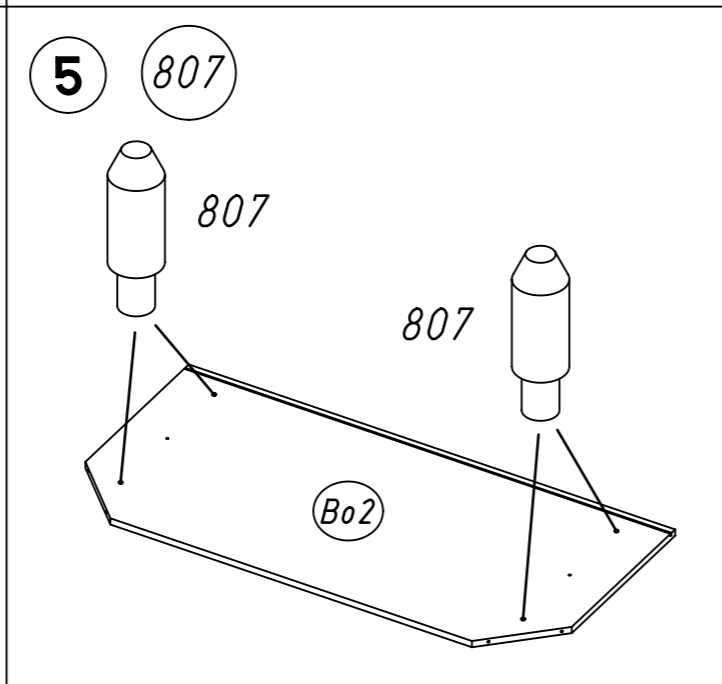
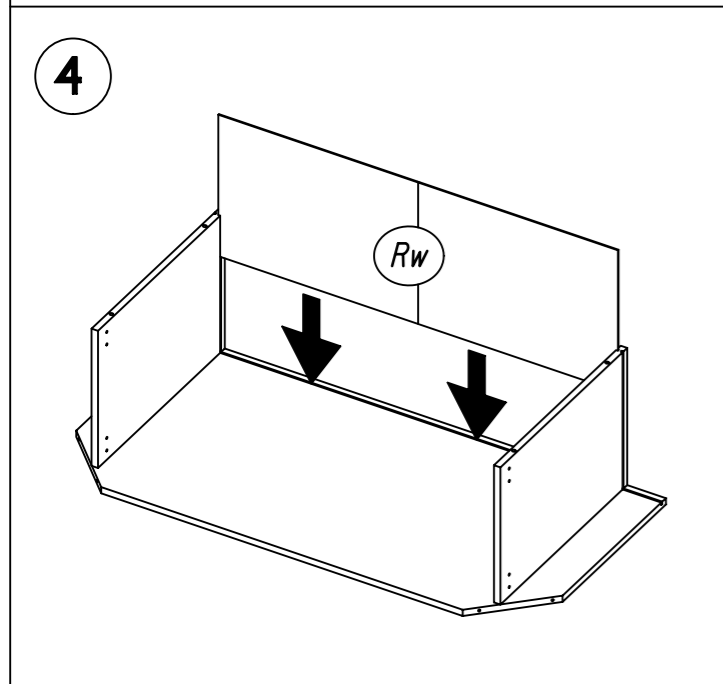
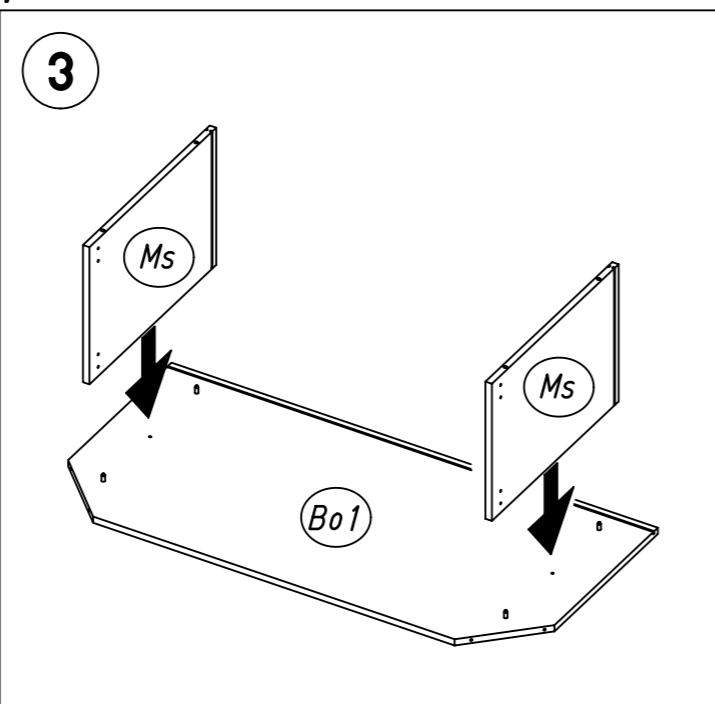
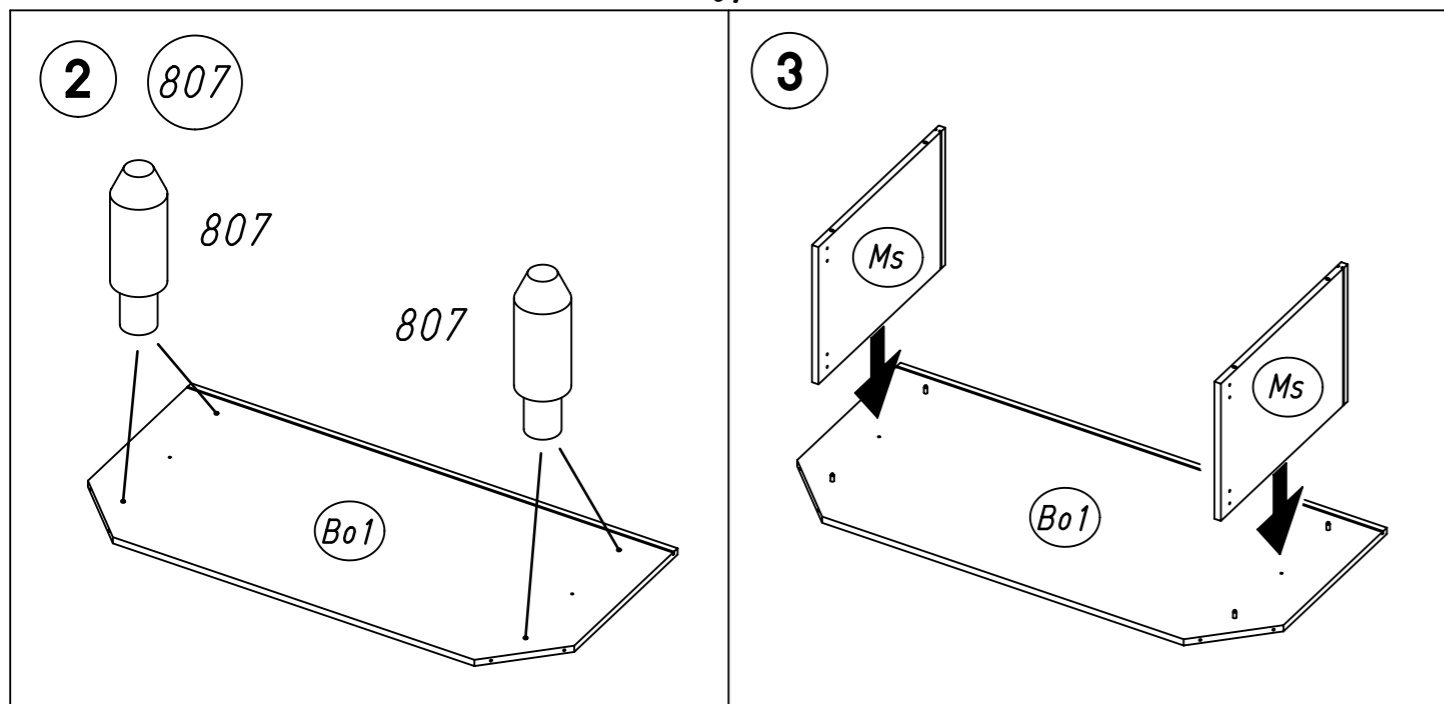
2.



1

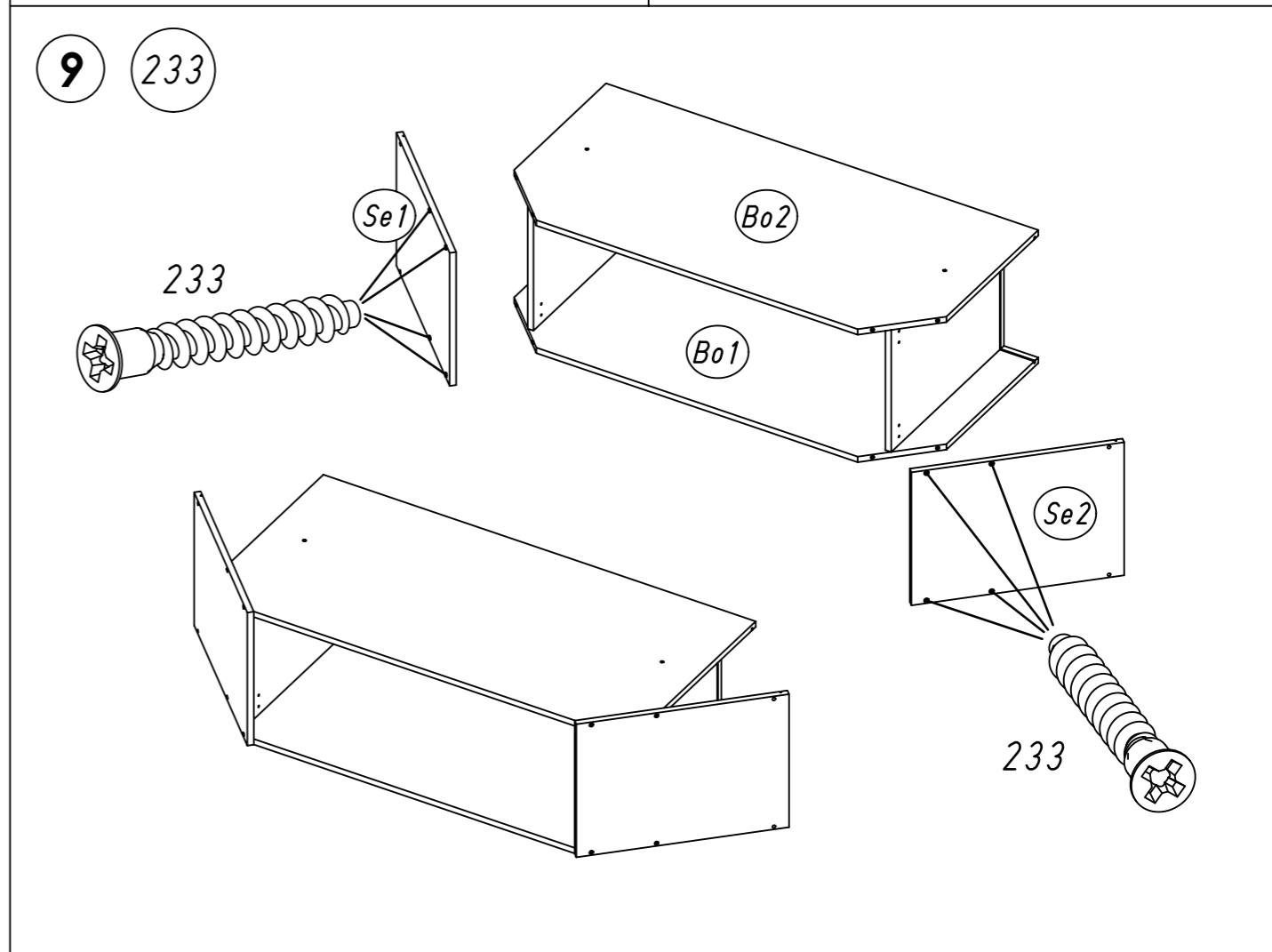
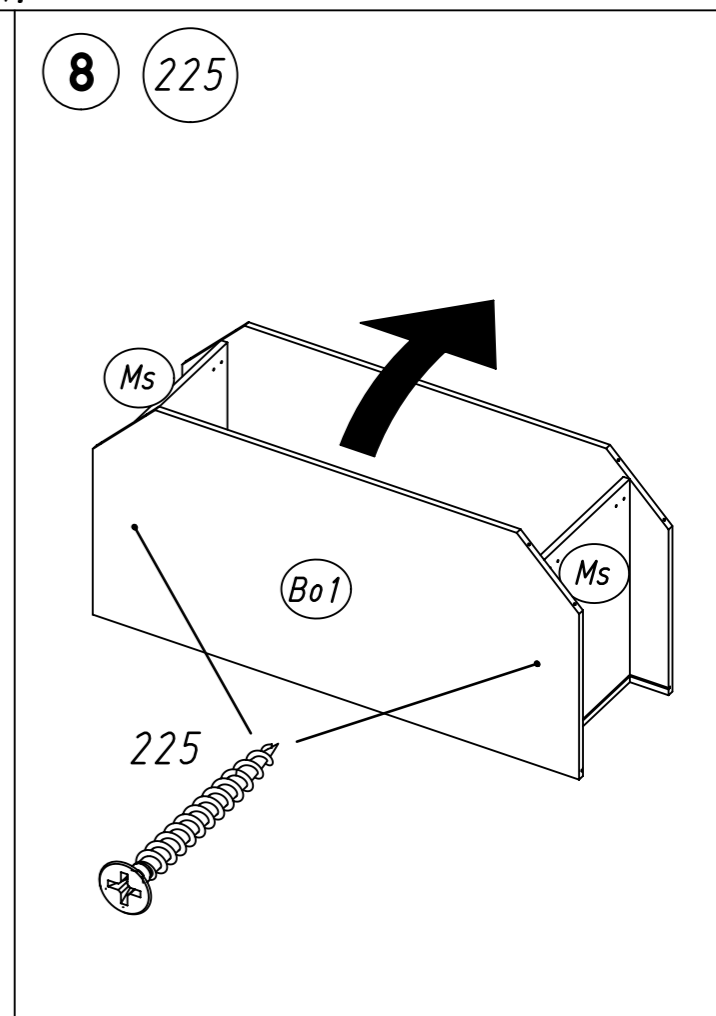
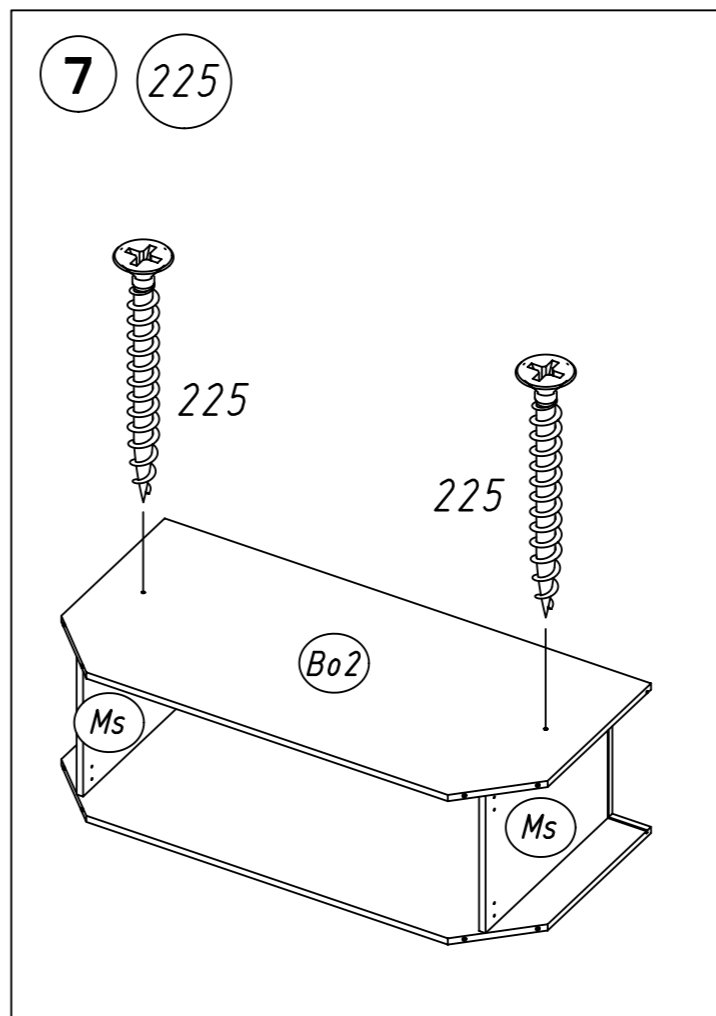


3.

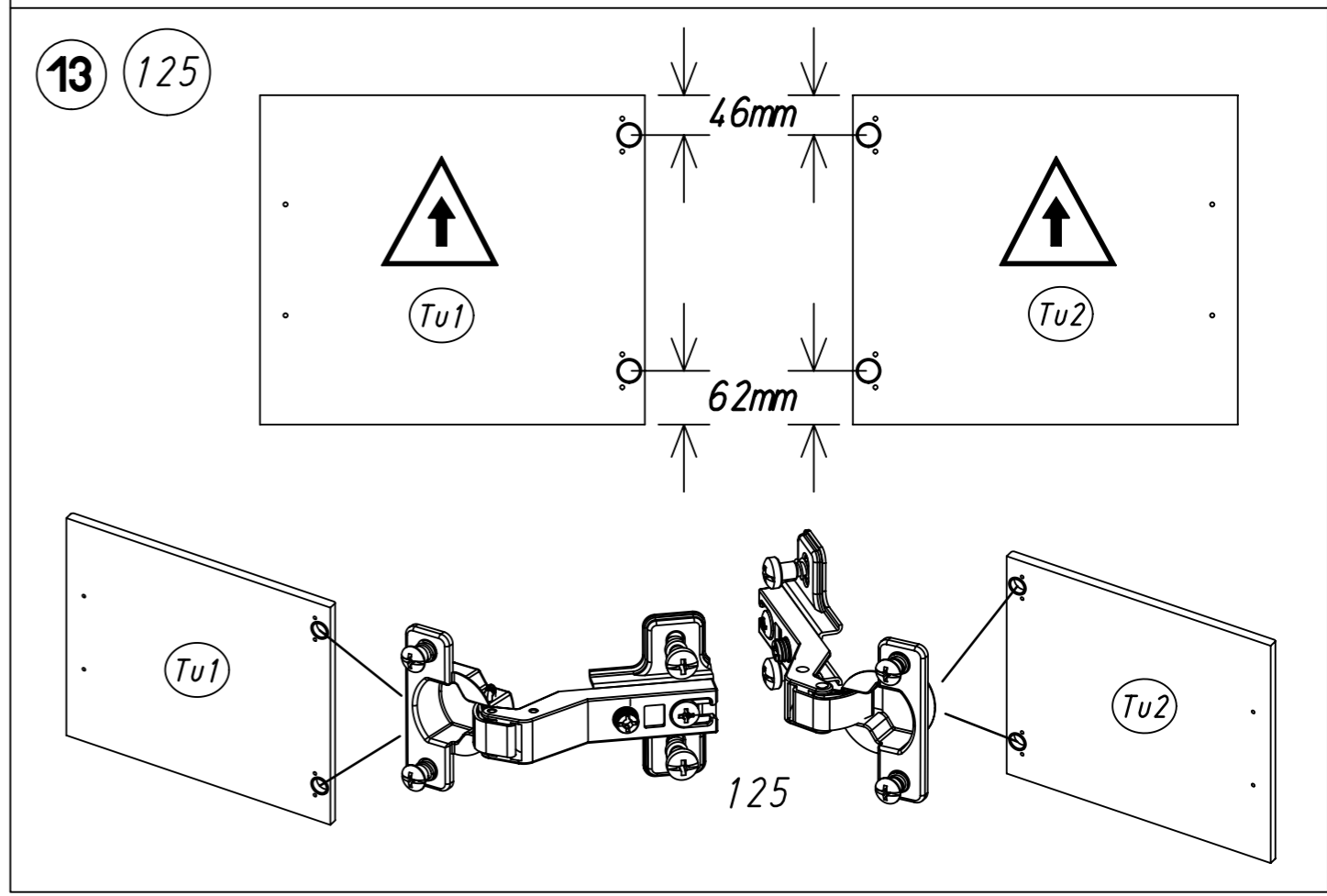
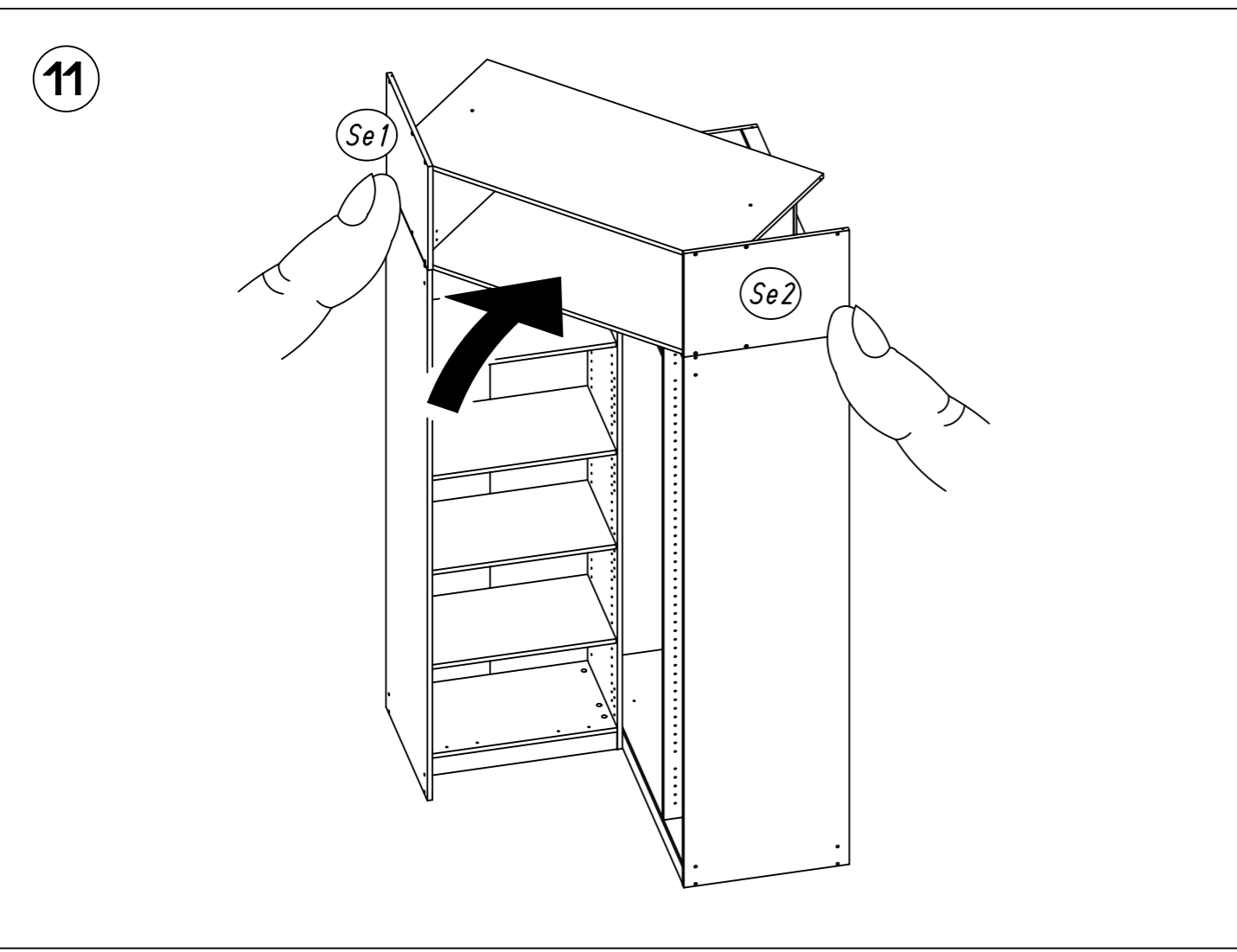
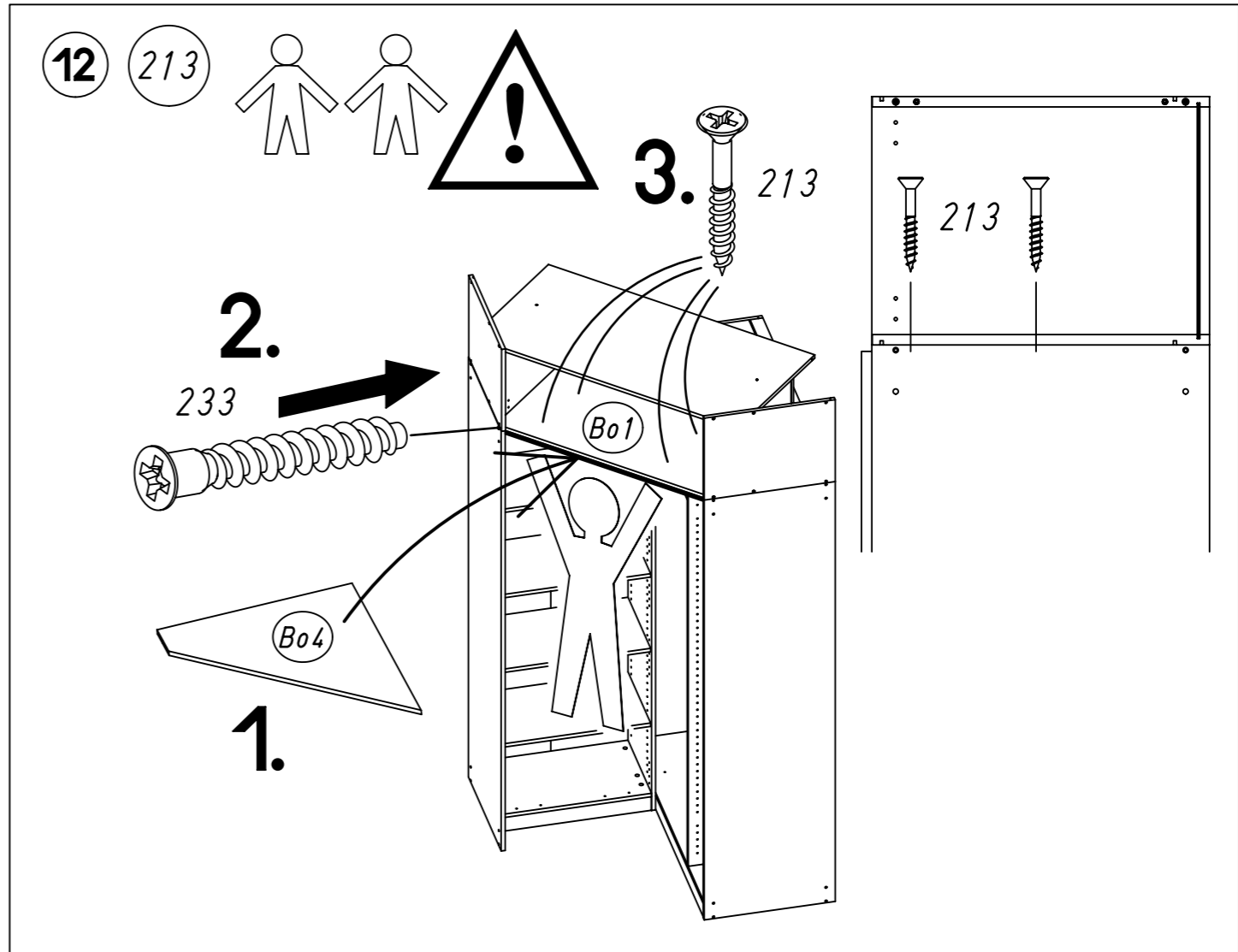
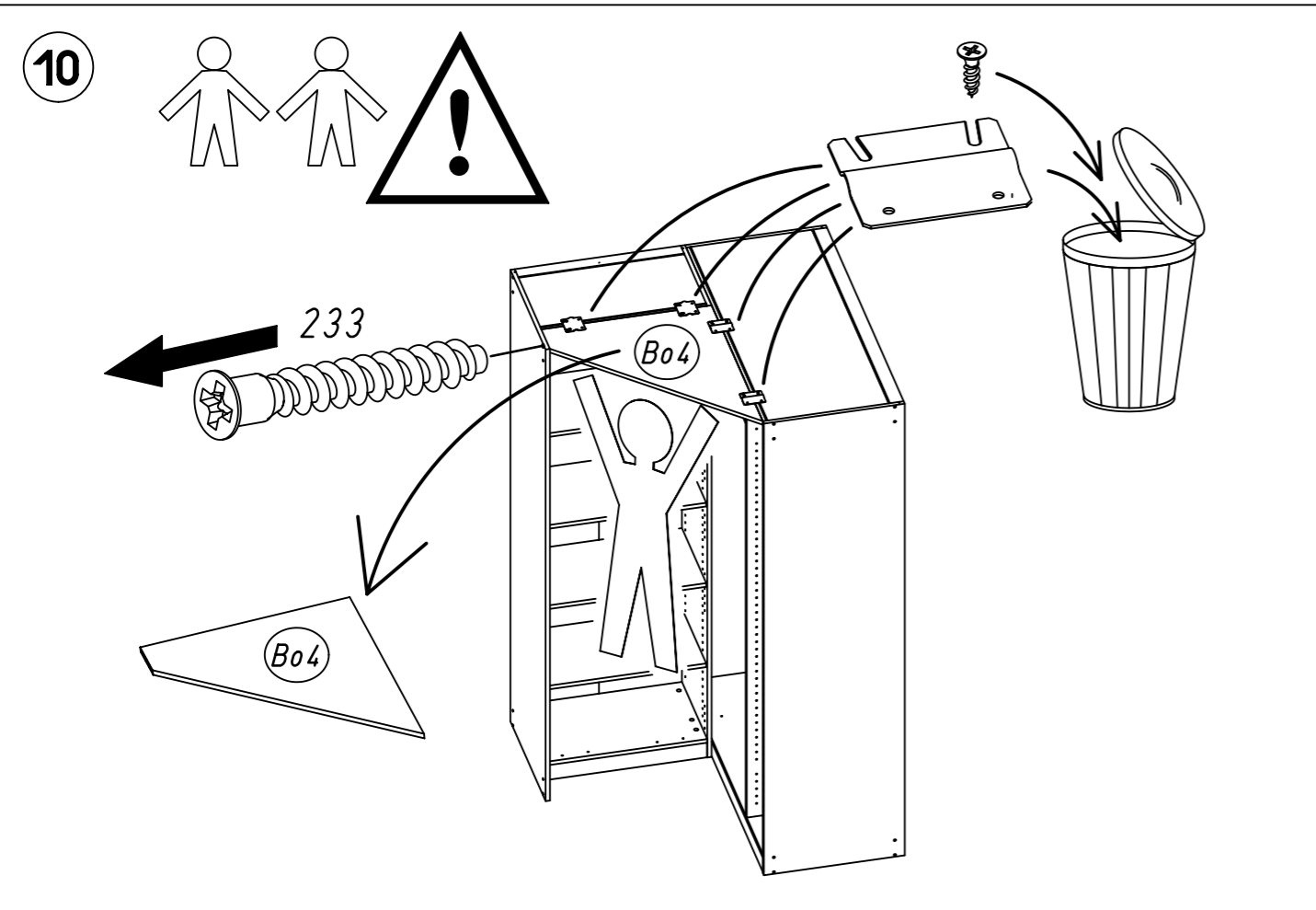


M1638

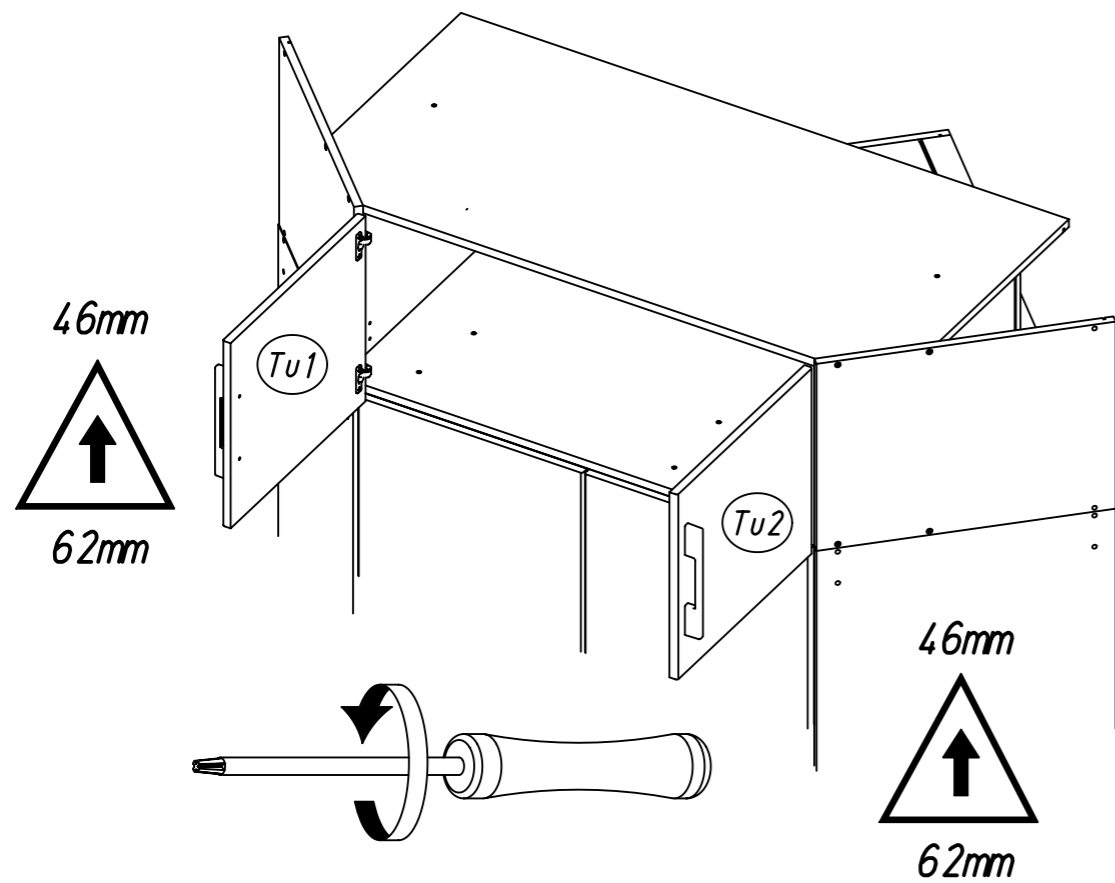
4.



M1638

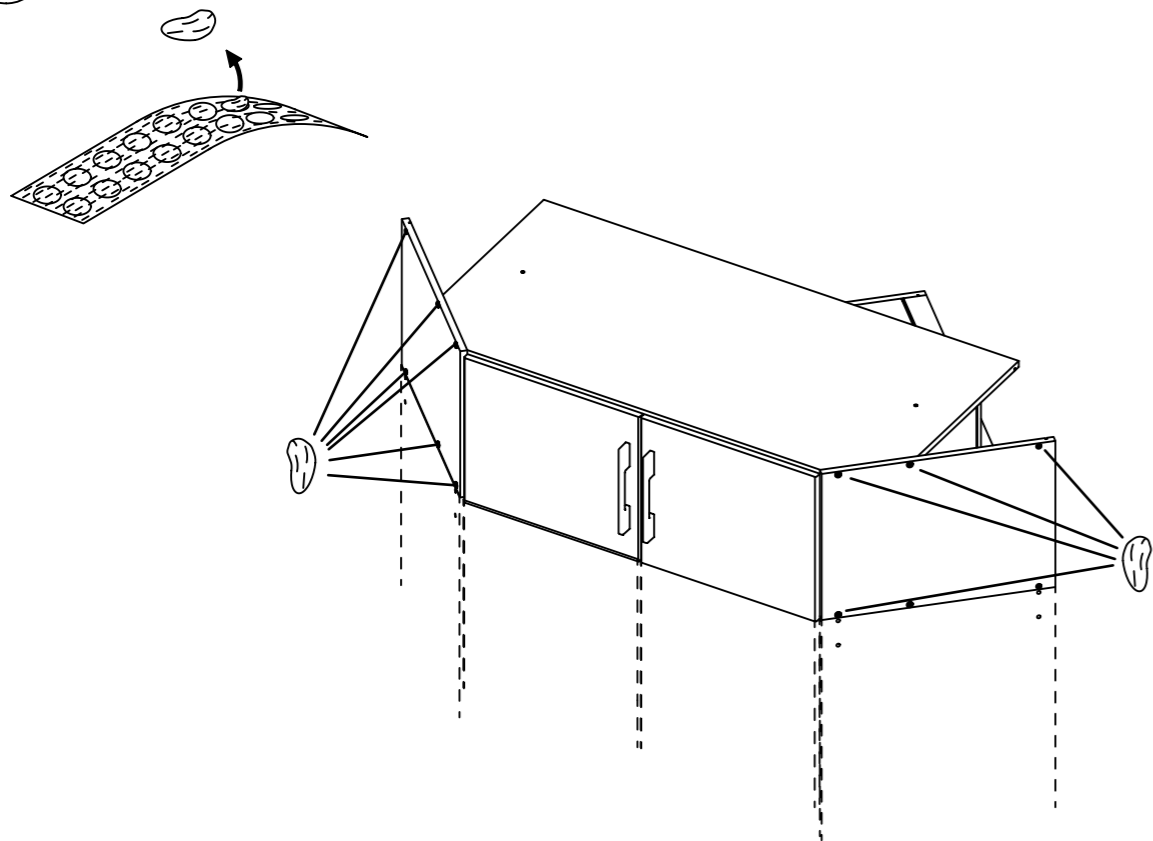


14



15

ABD-FOLIE



16

